

L1102

Luminaires For Use In Hazardous Locations

NOM This product is in compliance with NOM regulations.



Net Weight: 5.5 kg (12.1 lb)

Protection

- Class I, Division 1 Group B, C, D
- Class II, Division 1 Group E, F, G
- Class III

Standards

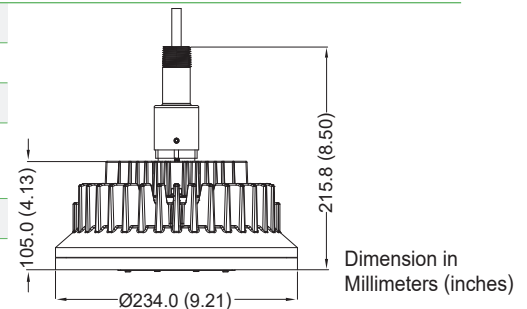
- UL 844
- UL 1598 Luminaires
- UL 8750
- CSA C22.2 No. 137-M1981
- CSA C22.2 No. 250.0

Light Features

- High efficacy
- Applicable to high temperature environment
- Retrofit to conventional explosion-proof light

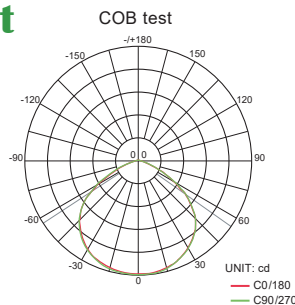
Technical Data

Rated Voltage (±10%)	COB: 120V / 208V / 277V / 347V / 480V AC , SMD: 120V / 277V AC							
Watts (±10%)	COB: 60W / 80W / 100W, SMD: 65W / 75W / 95W							
Amps	60W 120V: 0.50A, 208V: 0.29A, 277V: 0.22A, 347V: 0.17A, 480V: 0.13A / 80W 120V: 0.67A, 208V: 0.38A, 277V: 0.29A, 347V: 0.23A, 480V: 0.17A / 100W 120V: 0.83A, 208V: 0.48A, 277V: 0.36A, 347V: 0.29A, 480V: 0.21A / 65W 120V: 0.54A, 277V: 0.23A / 75W 120V: 0.63A, 277V: 0.27A / 95W 120V: 0.79A, 277V: 0.34A							
Color of LED Light	3000K (Warm White) / 5000K (Cool White)							
Ambient Temperature	CID1: -40°C ~ +40°C, T5 / CIID1: +40°C, T5							
Power Factor	cos ≥ 0.9, cos ≥ 0.87(480V)							
CRI	Cool White ≥ 70 / Warm White ≥ 80							
Lumen (±10%)	COB	60W	80W	100W	SMD	65W	75W	95W
	3000K	5700lm	7600lm	9000lm	3000K	6175lm	7215lm	8550lm
	5000K	6000lm	8000lm	10000lm	5000K	6500lm	7500lm	9500lm
Beam Angle	X-110° / Y-110°							
Frequency	50 / 60 Hz							
Degree of Protection	IP67 / NEMA 6							
Material	• Enclosure • Glass	Aluminum alloy Tempered glass						
LED Service Life	60,000 hrs							
Entrance Thread	1 × NPT 3/4"							

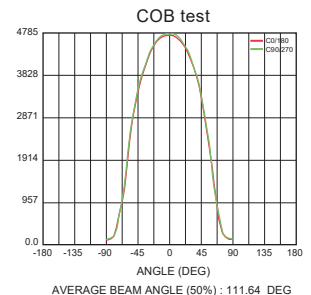


Optical Report

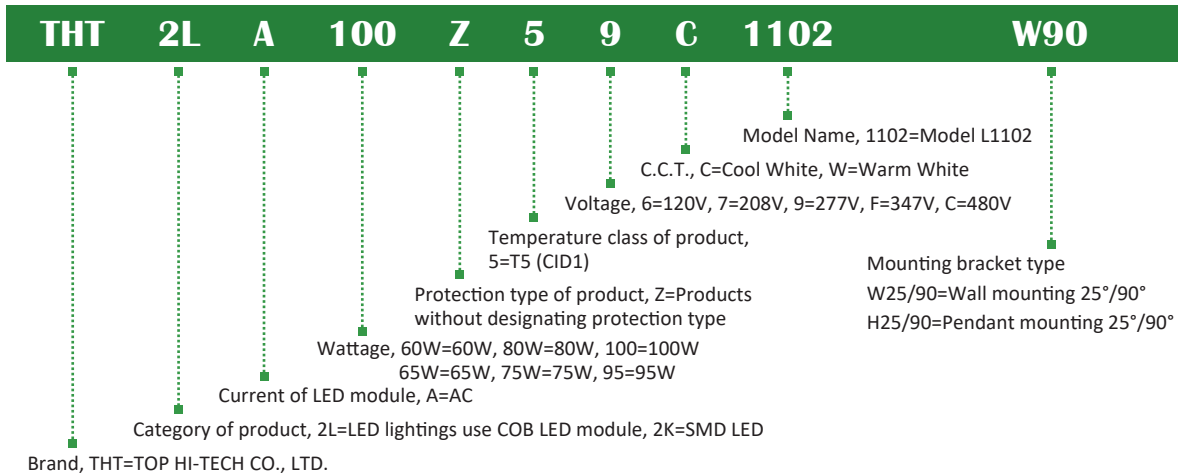
Polar Luminous Intensity Distribution



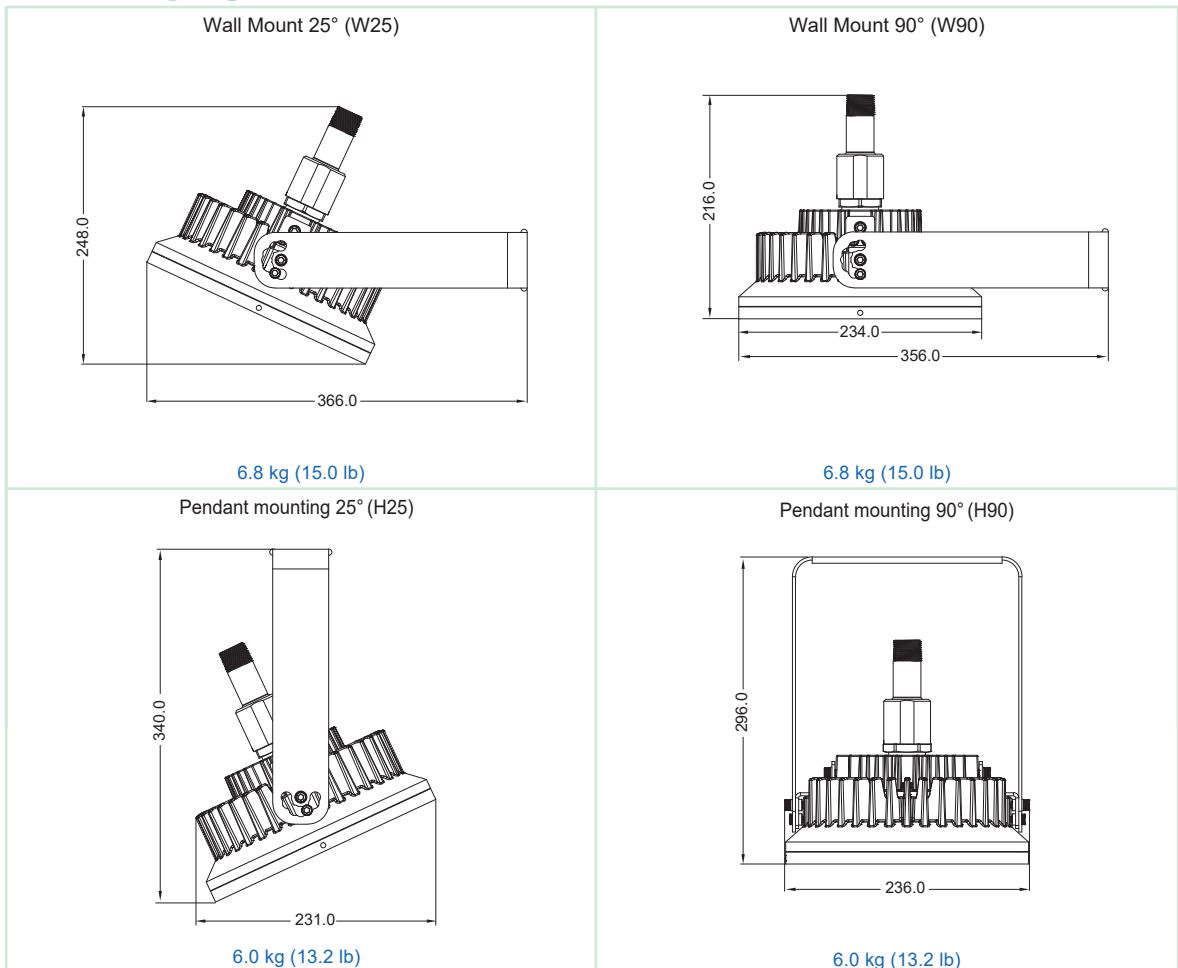
Luminous Intensity Distribution Diagram



Model Code



Mounting Option & Dimensions (All in mm)



Applicable Area

- Oil Refinery Complex
- Petrochemical Complex
- Painting Facility
- Transporting Nature Gas
- Transporting Liquefied Petroleum Gas
- Offshore Platform (Oil and Natural Gas)