

# A1301

## Explosion-proof Switches (use with PLC)



A1301A/C



A1301B/D



Zone  
1

Zone  
2

Zone  
21

Zone  
22

IP6X

### Protection

- Ex db IIC T6 Gb
- Ex tb IIIC T85°C Db
- Ⓜ II 2 G Ex db IIC T6 Gb
- Ⓜ II 2 D Ex tb IIIC T85°C Db

### Standards

- IEC 60079-0
- IEC 60079-1
- IEC 60079-31
- EN 60079-0
- EN 60079-1
- EN 60079-31

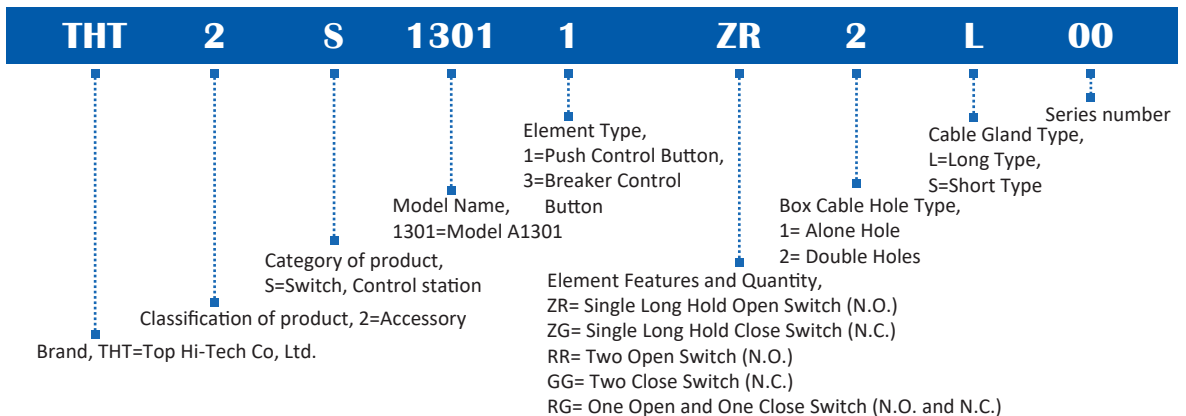
### Features

- Good power-on & off performance
- Protection with automatic power-off

## Technical Data

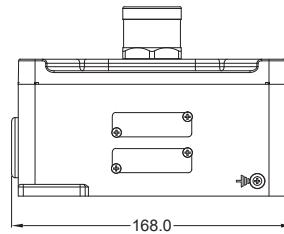
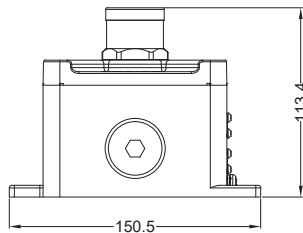
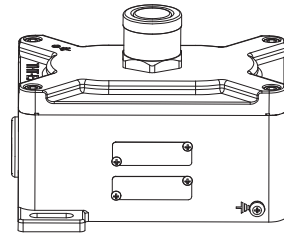
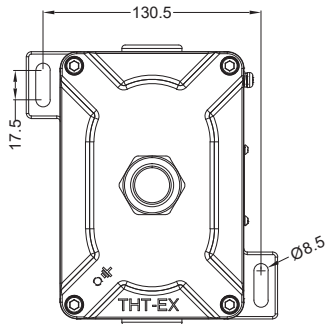
Model	A1301A	A1301B	A1301C	A1301D
Product Type	Single-Push Switch	Two-Push Switch	Single-Circuit Breaker	Two-Circuit Breaker
Voltage	600V	600V	125/250V	125/250V
Current Capacity	10A	10A each	3A to 20A	3A to 20A each
Wire Gauge	28~14 AWG	28~14 AWG	28~12 AWG	28~12 AWG
Operating Temperature	-40°C ~ + 55°, T6			
Degree of Protection	IP 6X			
Material	●Enclosure: Aluminum alloy    ●Sealing Gasket: Silicone			
Entrance Thread	Cable Entry and Screw Plug-NPT 3/4"			
Circuit Breaker	<ul style="list-style-type: none"> <li>●Dielectric Strength: 1,500Vac 1 minute</li> <li>●Interrupting Capacity: 1,000A/125Vac; 200A/250Vac</li> <li>●Overload Capacity: 6 times rated current</li> <li>●Insulation Resistance: &gt;500M ohms</li> <li>●Reset Time: &lt;30sec at 25</li> </ul>			

## Model Code



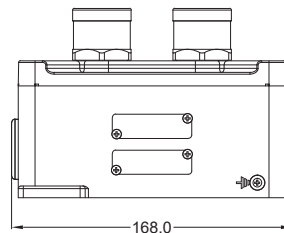
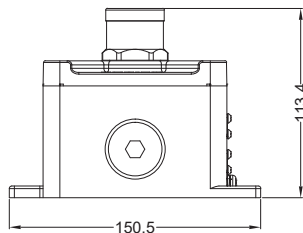
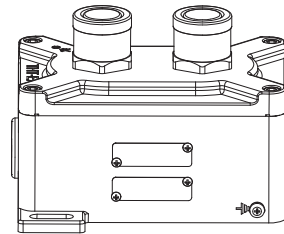
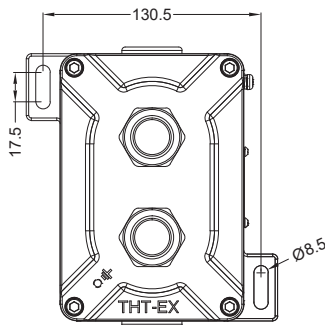
## Dimensions (All in mm)

A1301A / C



1.25 kg (2.76 lb)

A1301B / D



1.30 kg (2.86 lb)

### Applicable Area

- Oil Refinery Complex
- Petrochemical Complex
- Painting Facility
- Transporting Nature Gas
- Transporting Liquefied Petroleum Gas
- Offshore Platform (Oil and Natural Gas)