

L1733N

Hazardous Location LED Lighting



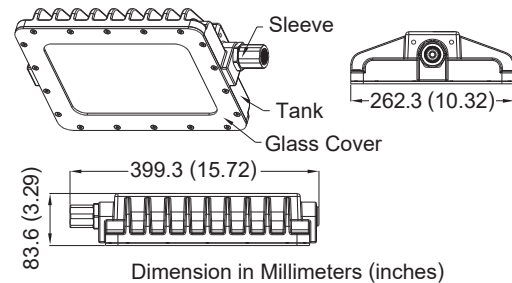
Net Weight: SMD/DOB 8.2 kg (18 lb),
SMD with lens 9.4 kg (20.7 lb)



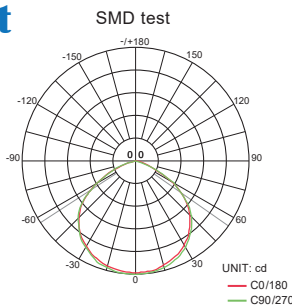
Protection	Standards
DOB • Ex nR IIC T4 Gc	IEC 60079-0
• Ex tb IIIC T110°C Db	IEC 60079-15
• Ex II 3 G Ex nR IIC T4 Gc	IEC 60079-31
• Ex II 2 D Ex tb IIIC T110°C Db	EN 60079-0
SMD • Ex nR IIC T5 Gc	EN 60079-15
• Ex tb IIIC T100°C Db	EN 60079-31
• Ex II 3 G Ex nR IIC T5 Gc	EN 60079-0
• Ex II 2 D Ex tb IIIC T100°C Db	EN 60079-15
SMD with Lens	
• Ex nR IIC T6 Gc	
• Ex tb IIIC T85°C Db	
• Ex II 3 G Ex nR IIC T6 Gc	
• Ex II 2 D Ex tb IIIC T85°C Db	

Technical Data

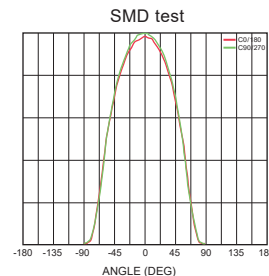
Rated Voltage (±10%)	DOB: 110V / 220V / 277V, SMD: 110V / 220V / 277V AC, SMD (with Lens): 100~277V (Full Voltage)												
Watts (±10%)	DOB: 120W/140W/160W/180W, SMD: 120W/140W/150W, SMD (with Lens): 110W/130W/150W												
Amps	DOB 120W 110V:1.09A, 220V:0.55A, 277V:0.43A / 140W 110V:1.27A, 220V:0.64A, 277V:0.51A / 160W 110V:1.45A, 220V:0.73A, 277V:0.58A / 180W 110V:1.64A, 220V:0.82A, 277V:0.65A SMD 120W 110V:1.09A, 220V:0.55A, 277V:0.43A / 140W 110V:1.27A, 220V:0.64A, 277V:0.51A / 150W 110V:1.36A, 220V:0.68A, 277V:0.54A SMD with lens 110W 0.39A ~ 1.1A / 130W 0.46A ~ 1.3A / 150W 0.54A ~ 1.5A												
Color of LED Light	3000K (Warm White) / 5000K (Cool White)												
Ambient Temperature	-20°C ~ +50°C (DOB:T4, SMD:T5), -20°C ~ +40°C, T6 (SMD with Lens)												
Power Factor	cos ≥ 0.9												
CRI	Cool White ≥ 70 / Warm White ≥ 80												
Lumen (±10%)	DOB	120W	140W	160W	180W	SMD	120W	140W	150W	SMD with Lens	110W	130W	150W
	3000K	10708	11628	13037	14256lm	3000K	11760	14074	15850lm	3000K	14279	16989	17485lm
	5000K	11680	12862	13351	15430lm	5000K	14004	15587	17166lm	5000K	12502	14595	17685lm
Beam Angle	X-110° / Y-110°												
Frequency	50 / 60 Hz												
Degree of Protection	IP67 / NEMA 6												
Material	• Enclosure	Aluminum alloy											
	• Glass	Tempered glass											
LED Service Life	60,000 hrs												
Entrance Thread	1 × NPT 3/4"												



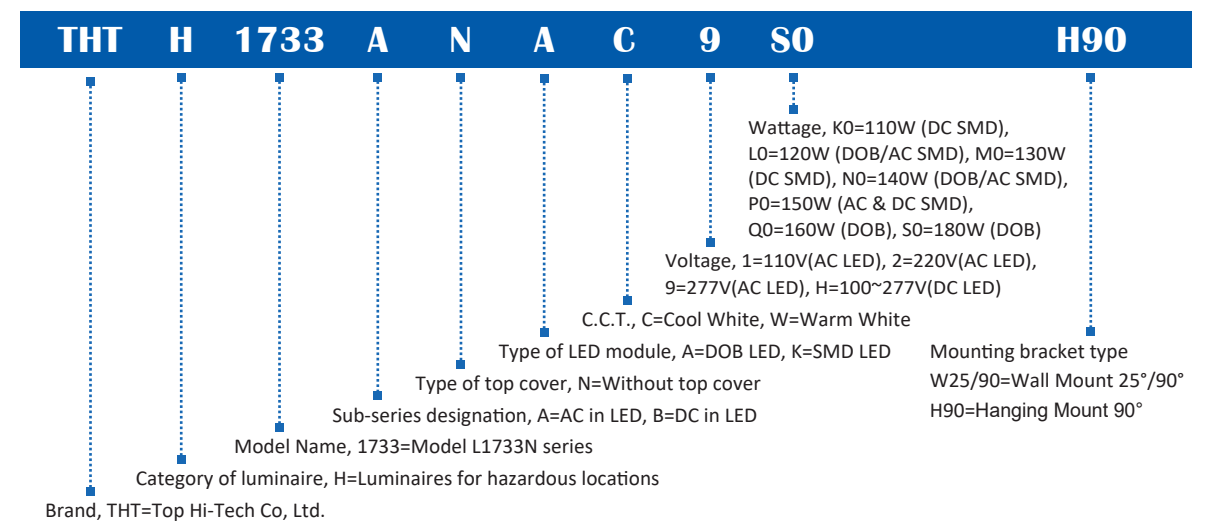
Optical Report



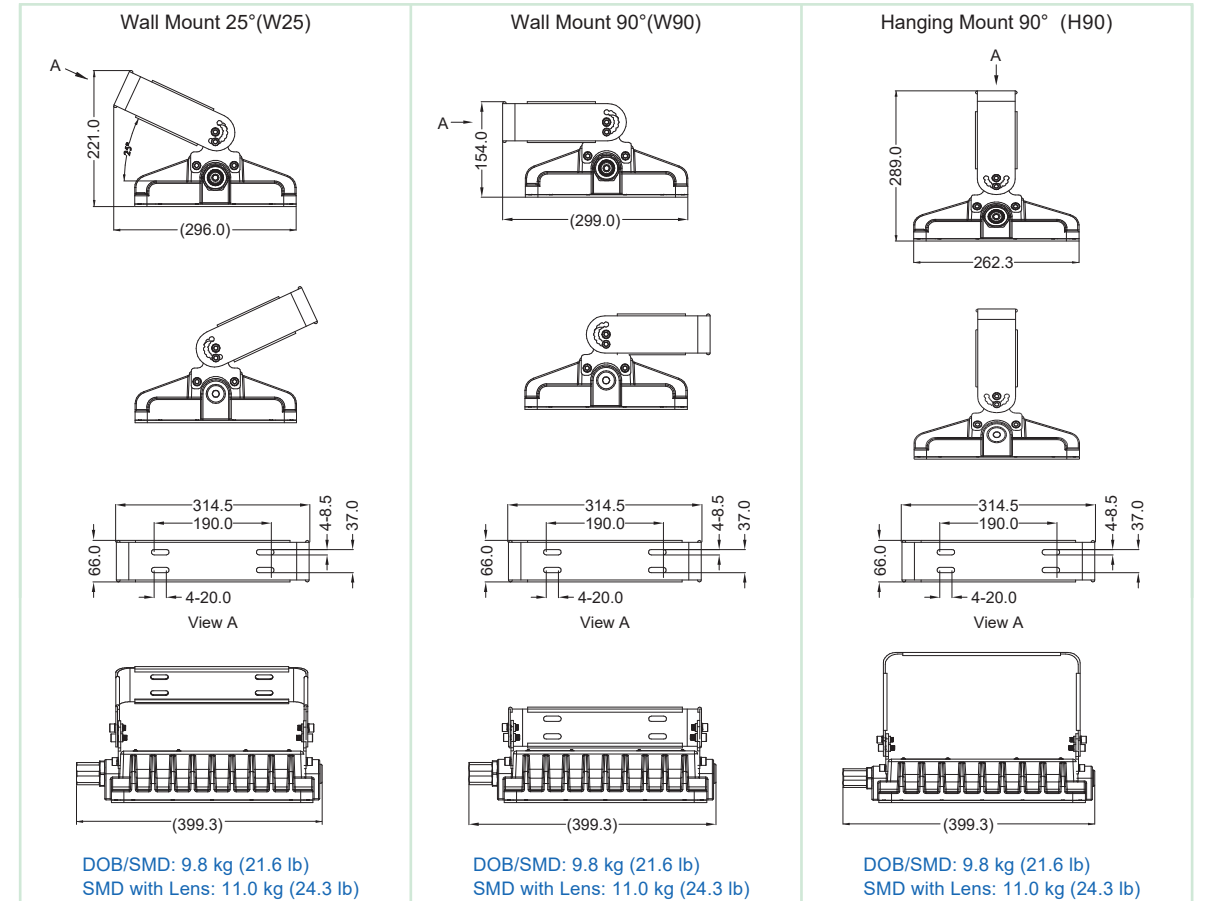
Luminous Intensity Distribution Diagram



Model Code



Mounting Option & Dimensions (All in mm)



DOB/SMD: 9.8 kg (21.6 lb)
SMD with Lens: 11.0 kg (24.3 lb)

DOB/SMD: 9.8 kg (21.6 lb)
SMD with Lens: 11.0 kg (24.3 lb)

DOB/SMD: 9.8 kg (21.6 lb)
SMD with Lens: 11.0 kg (24.3 lb)

Light Features

- Various wattage for different lumen requirement
- SMD with different angle lens is available upon request

Applicable Area

- Oil Refinery Complex
- Petrochemical Complex
- Painting Facility
- Transporting Nature Gas
- Transporting Liquefied Petroleum Gas
- Offshore Platform (Oil and Natural Gas)