

L1105

Luminaires For Use In Hazardous Locations



Protection

- Class I, Division 1 Group B, C, D
- Class II, Division 1 Group E, F, G
- Class III

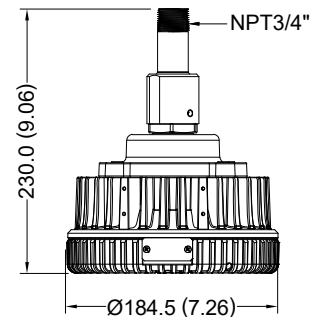
Standards

- UL 844
- UL 1598 Luminaires
- UL 8750
- CSA C22.2 No. 137-M1981
- CSA C22.2 No. 30-M1986
- CSA C22.2 No. 25-1996
- CSA C22.2 No. 250.0
- CSA C22.2 No. 250.13

Net Weight: 4.5 kg (9.9 lb)

Technical Data

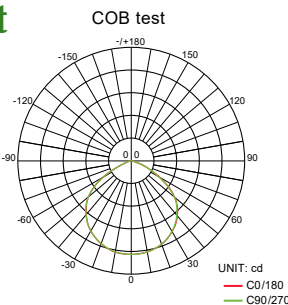
Rated Voltage (±10%)	COB: 24V / 120V / 277V / 480V, SMD: 120V / 277V AC	
Watts (±10%)	40W / 60W (Watts of 24V are different, please contact us for details.)	
Amps	COB: 40W 24V: 1.67A, 120V: 0.33A, 277V: 0.14A, 480V: 0.08A 60W 24V: 2.50A, 120V: 0.50A, 277V: 0.22A, 480V: 0.13A SMD: 40W 120V: 0.33A, 277V: 0.14A 60W 120V: 0.50A, 277V: 0.22A	
Color of LED Light	3000K (Warm White) / 5000K (Cool White)	
Ambient Temperature	CID1: -40°C ~ +40°C, T6 / CIID1: +40°C, T4	
Power Factor	cos ≥ 0.9, cos ≥ 0.87 (480V)	
CRI	Cool White ≥ 70 / Warm White ≥ 80	
Lumen (±10%)	40W	60W
	3000K	3800lm
	5000K	4000lm
	5700lm	6000lm
Beam Angle	X-110° / Y-110°	
Frequency	50 / 60 Hz	
Degree of Protection	IP67 / NEMA 6	
Material	<ul style="list-style-type: none"> • Enclosure Aluminum alloy • Glass Tempered glass 	
LED Service Life	60,000 hrs	
Entrance Thread	1 × NPT 3/4"	



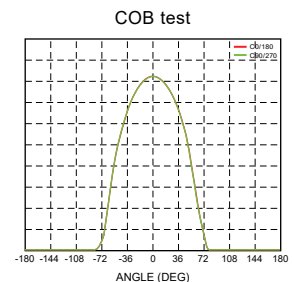
Dimension in Millimeters (inches)

Optical Report

Polar Luminous Intensity Distribution



Luminous Intensity Distribution Diagram



Model Code

THT	E	1105	Z	B	B	C	9	F0	H25
					①	②	③	④	⑤

① **Type of LED Model**

B=COB LED Module
K=SMD LED Module

③ **Voltage**

6=120V
9=277V
C=480V
3=24V

④ **Wattage**

D0=40W
F0=60W

⑤ **Mounting Bracket Type**

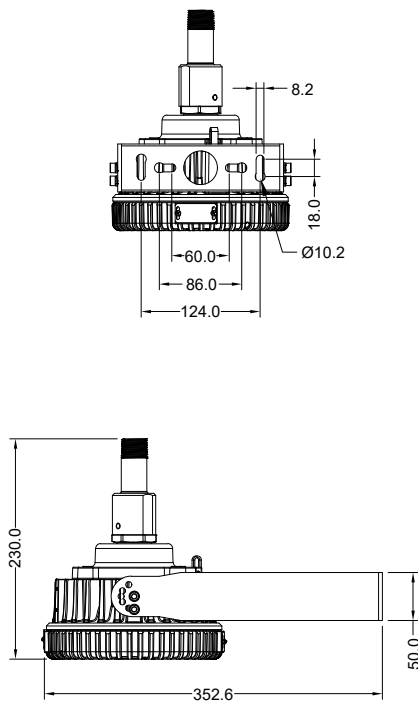
W25/90=Wall mount 25°/90°
H25/90=Pendant 25°/90°

② **C.C.T.**

C=Cool White
W=Warm White

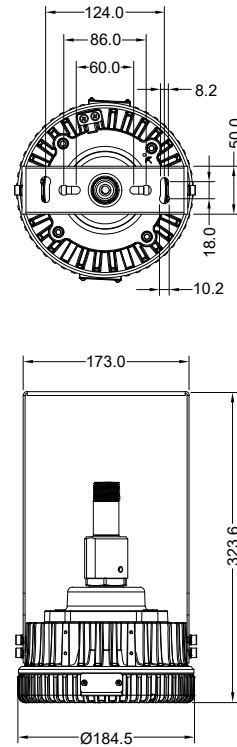
Mounting Option & Dimensions (All in mm)

Wall Mount 25°/90° (W25/W90)



5.0 kg (11.0 lb)

Pendant Mounting 25°/90° (H25/H90)



5.0 kg (11.0 lb)

Applicable Area

- Oil Refinery Complex
- Painting Facility
- Transporting Liquefied
- Offshore Platform
- Petrochemical Complex
- Transporting Nature Gas
- Petroleum Gas
- (Oil and Natural Gas)