



# L1319

## Luminaires For Use In Hazardous Locations



Net Weight: 7.4 kg (16.3 lb)

**CID1**  
Group  
B, C, D

**CIID2**  
Group  
F, G

**IP67**

**NEMA**  
6

### Protection

- 40W**
- Class I, Division 1, Group B, C, D
  - Class II, Division 2, Groups F and G
  - Class III
- 60W**
- Class I, Division 1, Group B, C, D

### Standards

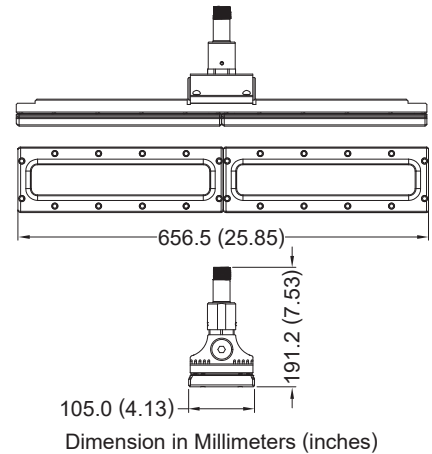
- UL 844
- UL 1598 Luminaires
- UL 8750
- CSA C22.2 No. 137-M1981
- CSA C22.2 No. 30-M1986
- CSA C22.2 No. 25-1996
- CSA C22.2 No. 250.0
- CSA C22.2 No. 250.13

### Light Features

- Die-cast aluminum fixture for LED heat dissipation and thermal control.
- Applicable to high temperature environment
- Suitable for tunnel installation

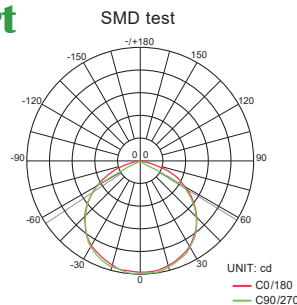
## Technical Data

Rated Voltage (±10%)	120V / 277V AC		
Watts (±10%)	40W / 60W		
Amps	40W 120V: 0.33A, 277V: 0.14A / 60W 120V: 0.50A, 277V: 0.22A		
Color of LED Light	3000K (Warm White) / 5000K (Cool White)		
Ambient Temperature	CID1: -40°C ~ +55°C, T6 / CIID2: +55°C, T6		
Power Factor	cos ≥ 0.9		
CRI	Cool White ≥ 70 / Warm White ≥ 80		
Lumen (±10%)	SMD	40W	60W
	3000K	3600lm	5400lm
	5000K	4000lm	6000lm
Beam Angle	X-116° / Y-113°		
Frequency	50 / 60 Hz		
Degree of Protection	IP67 / NEMA 6		
Material	• Enclosure	Aluminum alloy	
	• Glass	Tempered glass	
LED Service Life	60,000 hrs		
Entrance Thread	1 × NPT 3/4"		

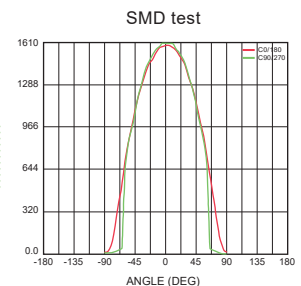


## Optical Report

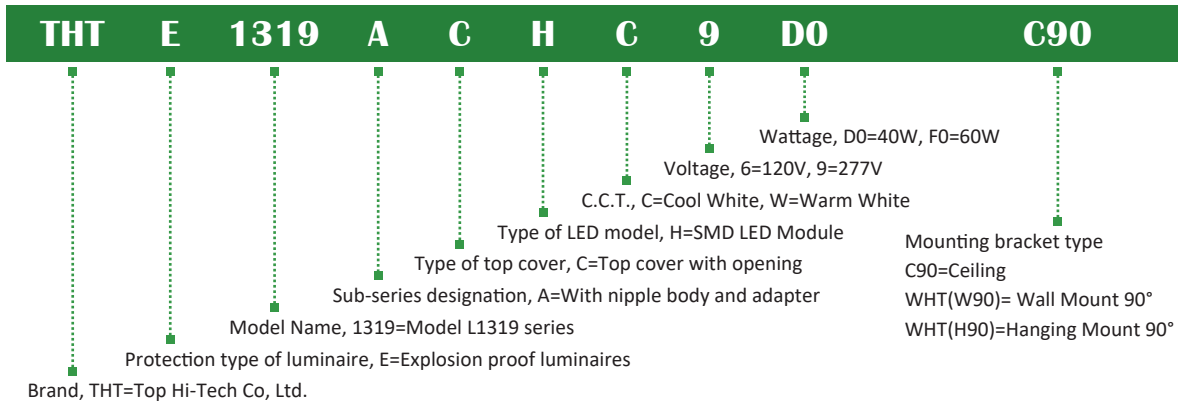
Polar Luminous Intensity Distribution



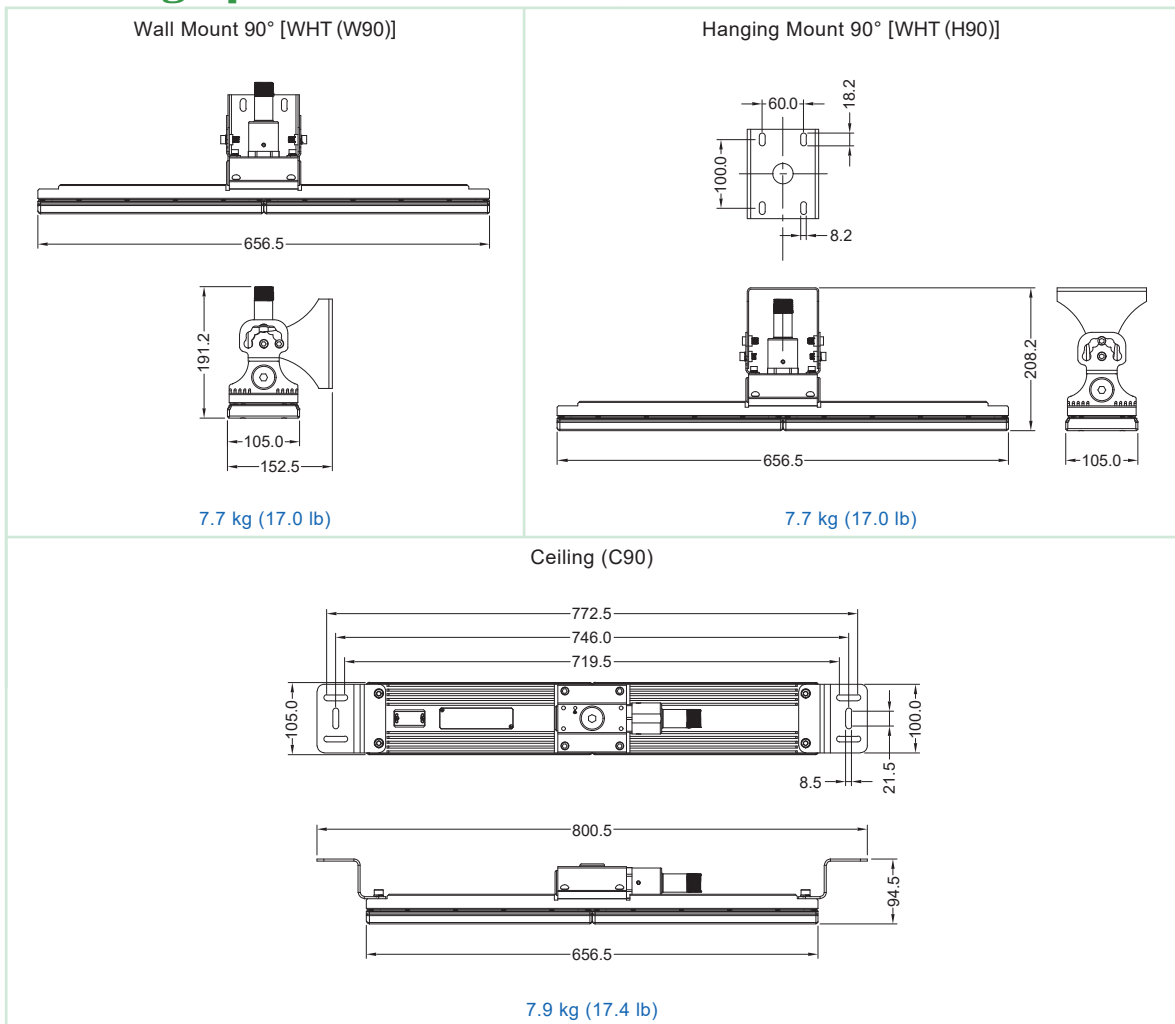
Luminous Intensity Distribution Diagram



## Model Code



## Mounting Option & Dimensions (All in mm)



### Applicable Area

- Oil Refinery Complex
- Painting Facility
- Transporting Liquefied
- Offshore Platform
- Petrochemical Complex
- Transporting Nature Gas
- Petroleum Gas
- (Oil and Natural Gas)