

L1703

Hazardous Location LED Lighting



Protection

- Ex nR IIC T4 Gc
- Ex tb IIIC T120°C Db
- Ex II 3 G Ex nR IIC T4 Gc
- Ex II 2 D Ex tb IIIC T120°C Db

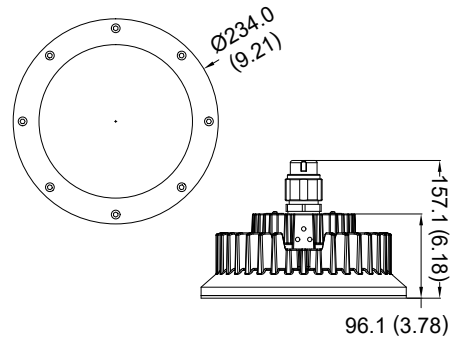
Standards

- IEC 60079-0
- IEC 60079-15
- IEC 60079-31
- EN 60079-0
- EN 60079-15
- EN 60079-31

Net Weight: 5.5 kg (12.1 lb)

Technical Data

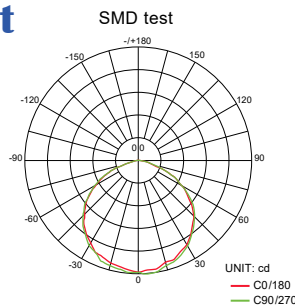
Rated Voltage (±10%)	110V / 220V / 277V AC		
Watts (±10%)	65W / 75W / 95W		
Amps	65W 110V: 0.59A, 220V: 0.30A, 277V: 0.23A 75W 110V: 0.68A, 220V: 0.34A, 277V: 0.27A 95W 110V: 0.86A, 220V: 0.43A, 277V: 0.34A		
Color of LED Light	3000K (Warm White) / 5000K (Cool White)		
Ambient Temperature	-40°C ~ +55°C, T4		
Power Factor	cos ≥ 0.9		
CRI	Cool White ≥ 70 / Warm White ≥ 80		
Lumen (±10%)	65W	75W	95W
	3000K 6175lm	7125lm	9025lm
	5000K 6500lm	7500lm	9500lm
Beam Angle	X-110° / Y-110°		
Frequency	50 / 60 Hz		
Degree of Protection	IP67 / NEMA 6		
Material	• Enclosure	Aluminum alloy	
	• Glass	Tempered glass	
LED Service Life	60,000 hrs		
Entrance Thread	1 x M25		



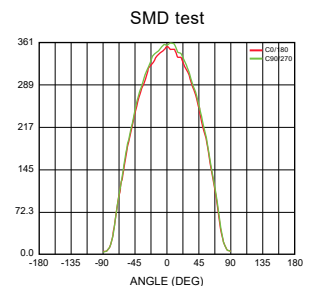
Dimension in Millimeters (inches)

Optical Report

Polar Luminous Intensity Distribution



Luminous Intensity Distribution Diagram



Model Code

THT	H	1703	Z	C	K	C	9	J0	S90
					①	①	②	③	④

① C.C.T.

C=Cool White
W=Warm White

② Voltage

1=110V, 2=220V, 9=277V

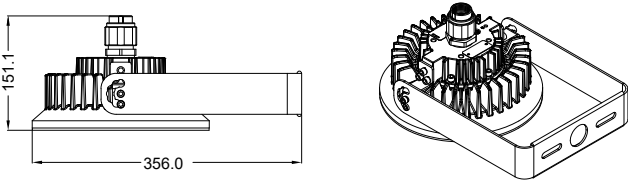
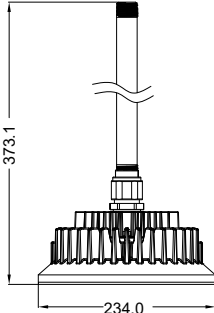
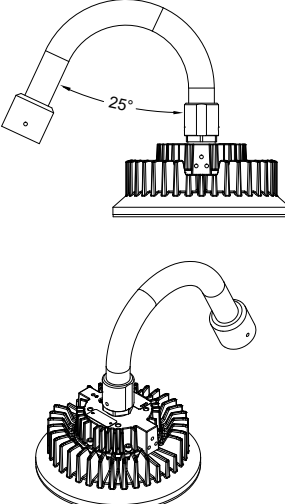
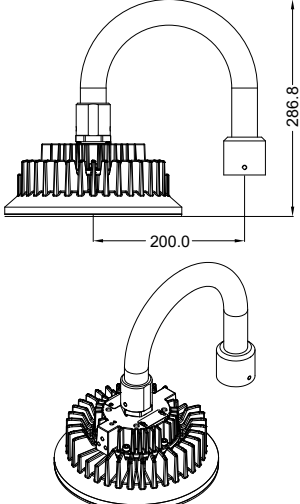
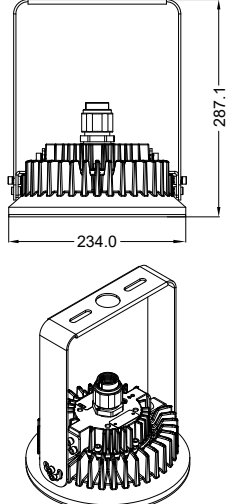
③ Wattage

F5=65W, G5=75W, I5=95W

④ Mounting Bracket Type

W90=Wall Mount 90°
H90=Hanging Mount 90°
S25/90=Bending Electrical Tube 25°/90°
P90=Straight Electrical Tube

Mounting Option & Dimensions (All in mm)

<p>Wall Mount 90° (W90)</p>  <p>6.3 kg (13.8 lb)</p>		<p>Straight Electrical Tube (P90)</p>  <p>6.5 kg (14.3 lb)</p>			
<p>Bending Electrical Tube 25° (S25)</p>  <p>6.5 kg (14.3 lb)</p>		<p>Bending Electrical Tube 90° (S90)</p>  <p>6.6 kg (14.6 lb)</p>		<p>Hanging Mount 90° (H90)</p>  <p>6.3 kg (13.8 lb)</p>	

Applicable Area

- Oil Refinery Complex
- Petrochemical Complex
- Painting Facility
- Transporting Nature Gas
- Transporting Liquefied Petroleum Gas
- Offshore Platform (Oil and Natural Gas)